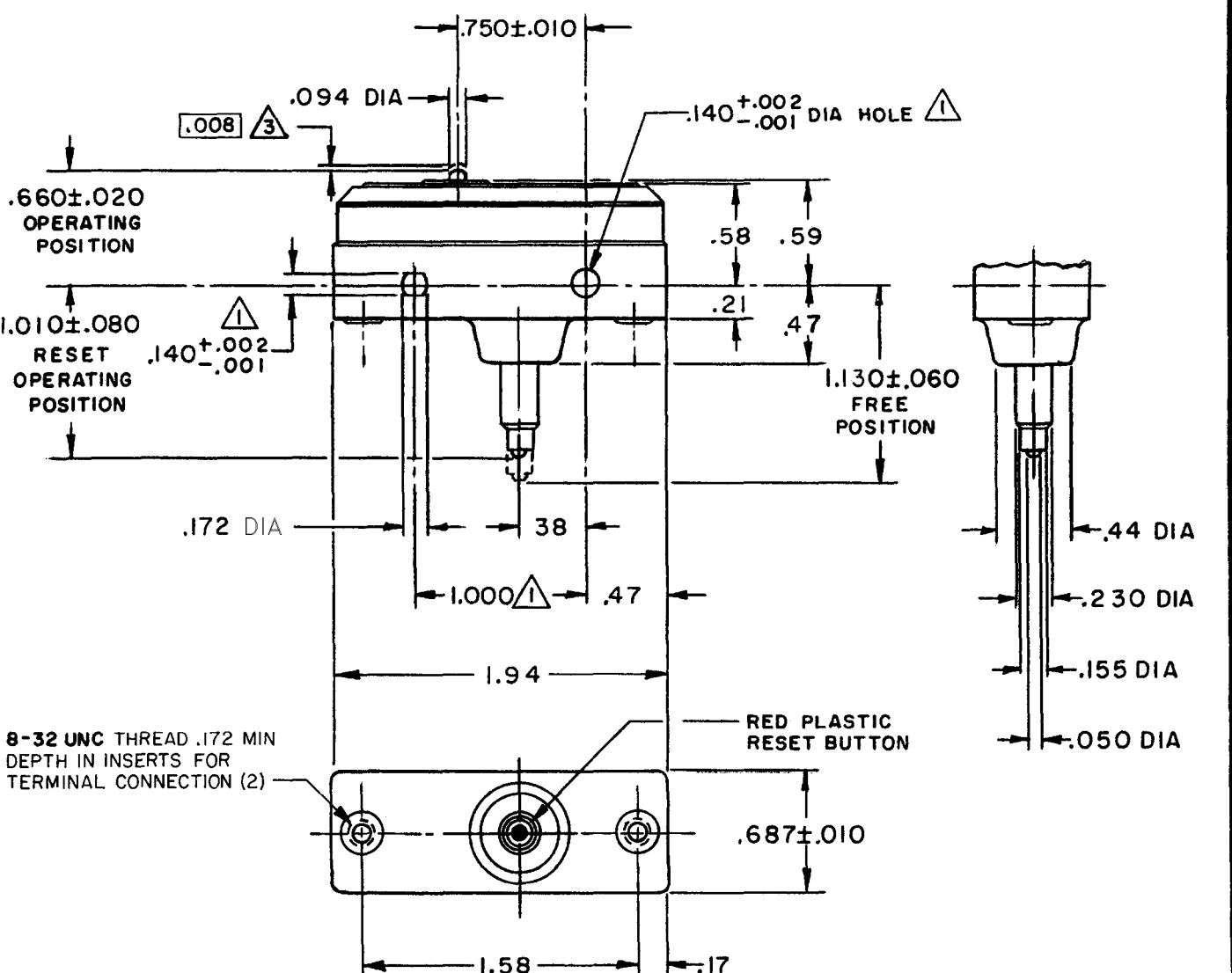


WA-1RX12-A41  
 PAGE 1 OF 1  
 DRAWING NUMBER  
 ISSUE 10  
 REVISIONS  
 A C080462 JALA 11 JUN 95  
 B C093346 DLT 23 SEP 98  
 CHECK  
 JAS 11 JUNE 87  
 FORMTEK



**NOTES**

1 MOUNTING HOLES WILL ACCEPT PINS OR SCREWS OF .139 MAX DIA ON 1.000±.002 CENTERS

2 - SWITCH WILL NOT RECYCLE OR ACT AS A MOMENTARY ACTION SWITCH IF PIN PLUNGER IS RELEASED WHEN RESET PLUNGER IS CONTINUALLY DEPRESSED

3 SWITCH MUST BE CAPABLE OF BEING RESET WHEN PIN PLUNGER IS RELEASED .008 FROM OPERATING POSITION

4 - CONTACT MATERIAL - FINE SILVER

THIS DRAWING COVERS A PROPRIETARY ITEM AND IS THE PROPERTY OF MICRO SWITCH, A DIVISION OF HONEYWELL. THIS DRAWING IS NOT TO BE COPIED OR USED WITHOUT THE APPROVAL OF MICRO SWITCH.

CHARACTERISTICS	ELECTRICAL DATA	SCALE FULL
OPERATING FORCE - - - - - 4-16 OZ	CONTACT ARRANGEMENT	DO NOT SCALE PRINT
OVERTRAVEL - - - - - .010 MIN	SINGLE POLE NORM CLOSED MAINTAINED CONTACT	UNLESS OTHERWISE NOTED
RESET CHARACTERISTICS	L178	DIMENSIONS ARE IN INCHES
OPERATING FORCE - - - - - 32 OZ MAX	20A 125, 250, 277 VAC	<b>TOLERANCES ARE:</b>
OVERTRAVEL - - - - - .040 MIN	3/4HP 125 VAC, 1 1/2HP 250 VAC	ONE PLACE (.0) ±.030
	L288	TWO PLACE (.00) ±.015
	L299	THREE PLACE (.000) ±.005
	L308	ANGLES ±
	20(3)A 250V ~ T85 5E4	WEIGHT